

FISHER & PAYKEL

REFRIGERATOR FREEZER

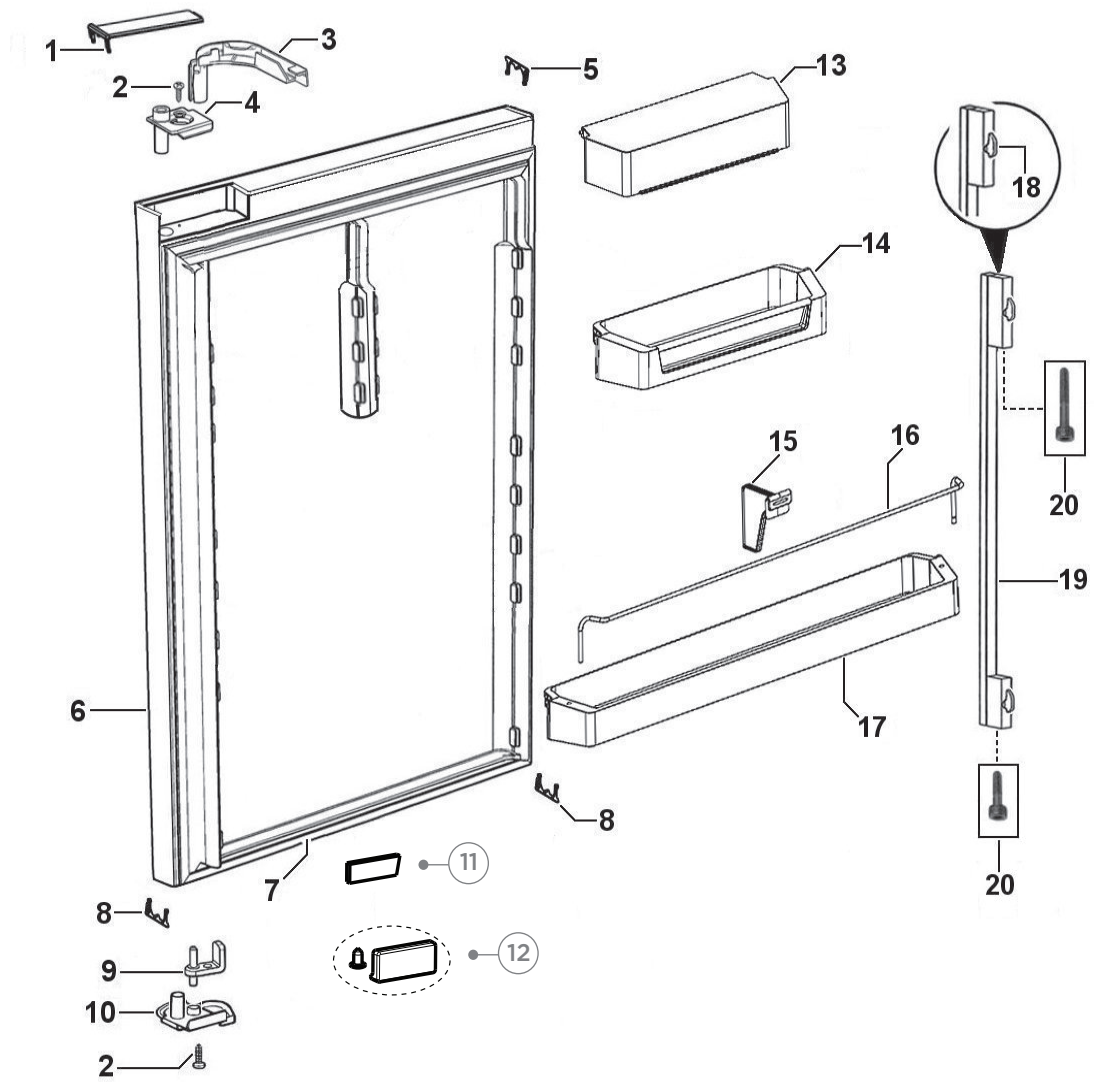
RF522WDRUX5 FP NZ

PRODUCT CODE: 26476-B

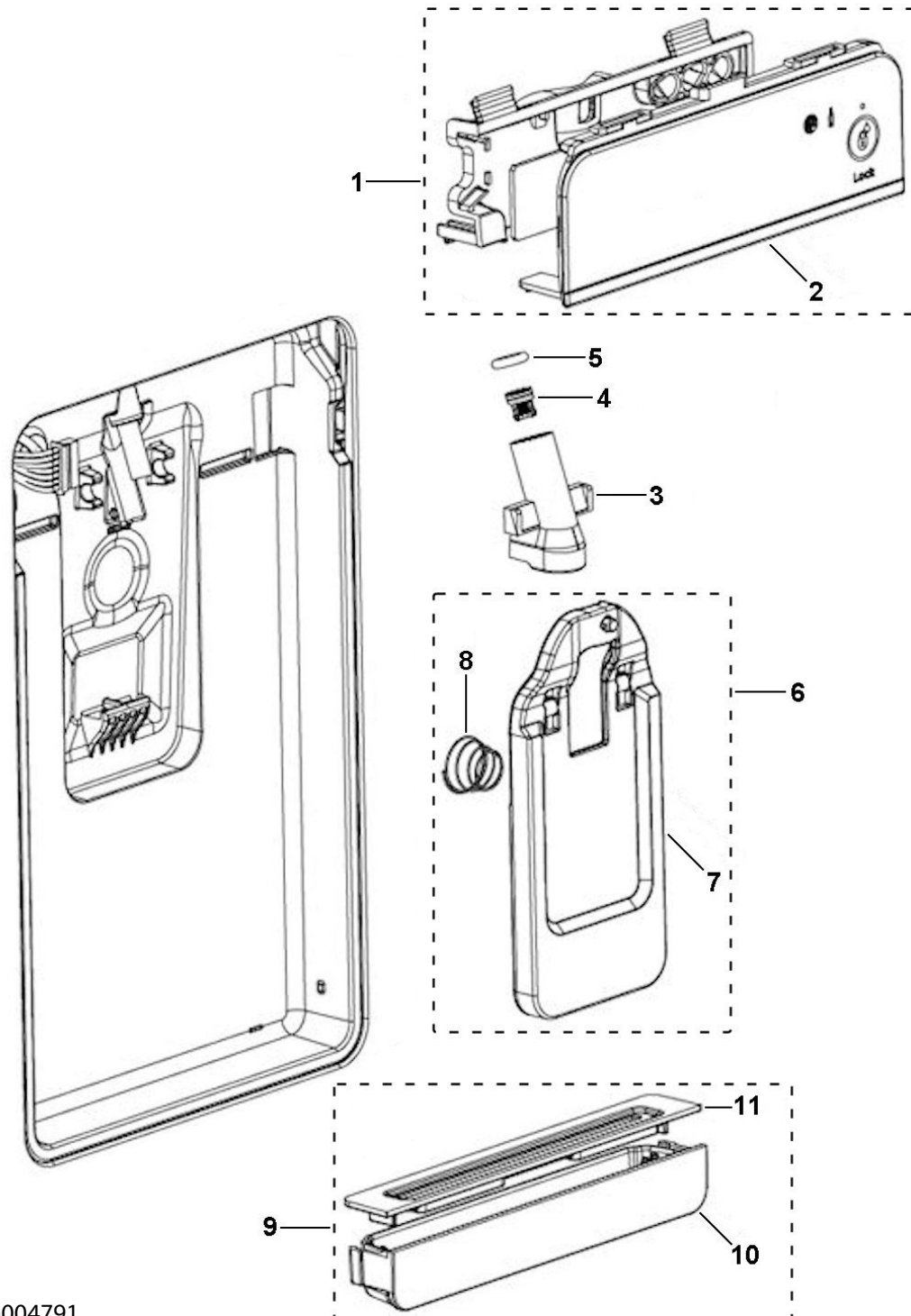
PARTS MANUAL

NZ

DOOR COMPONENTS



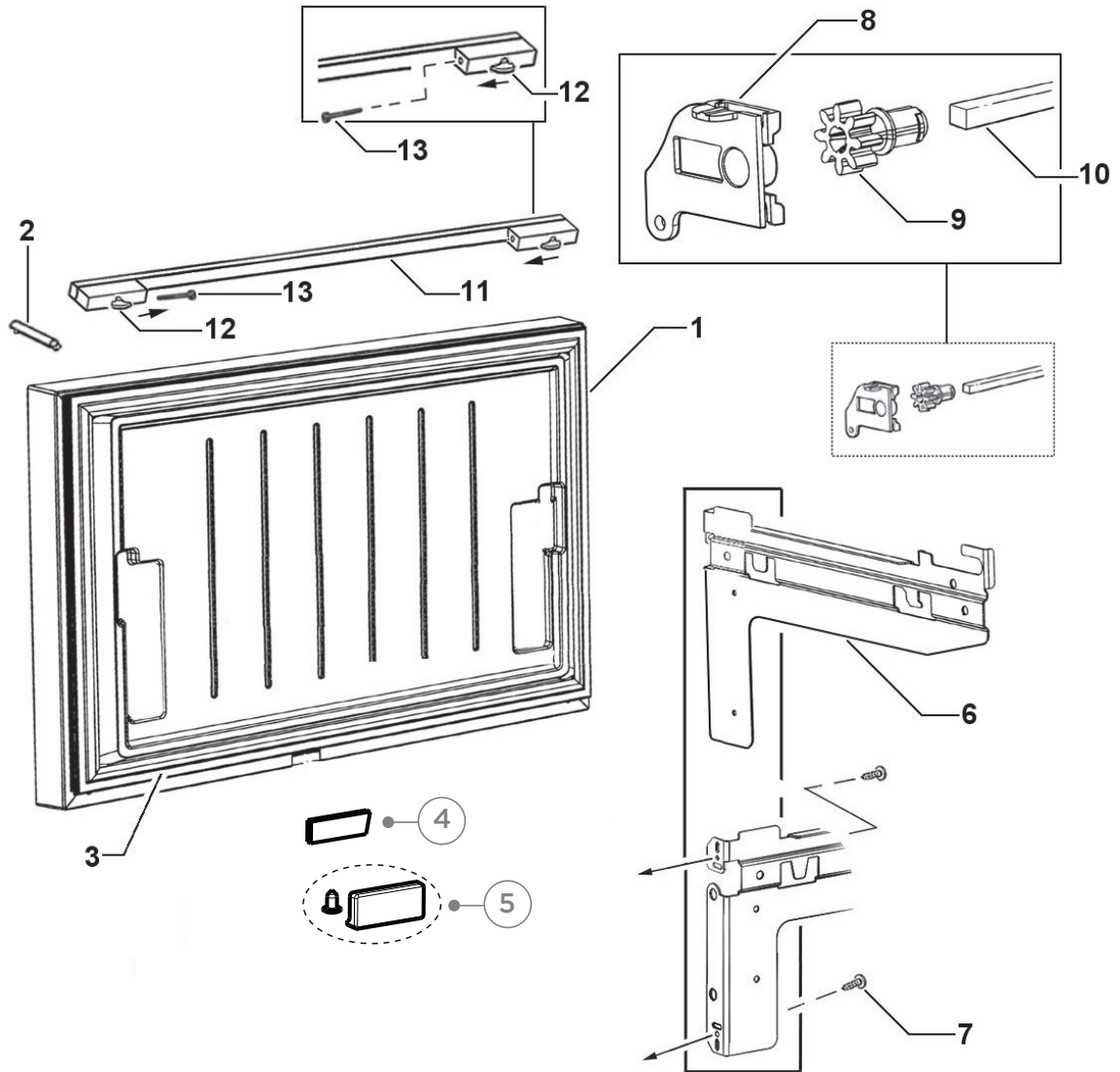
WATER DISPENSER & DISPLAY MODULE COMPONENTS



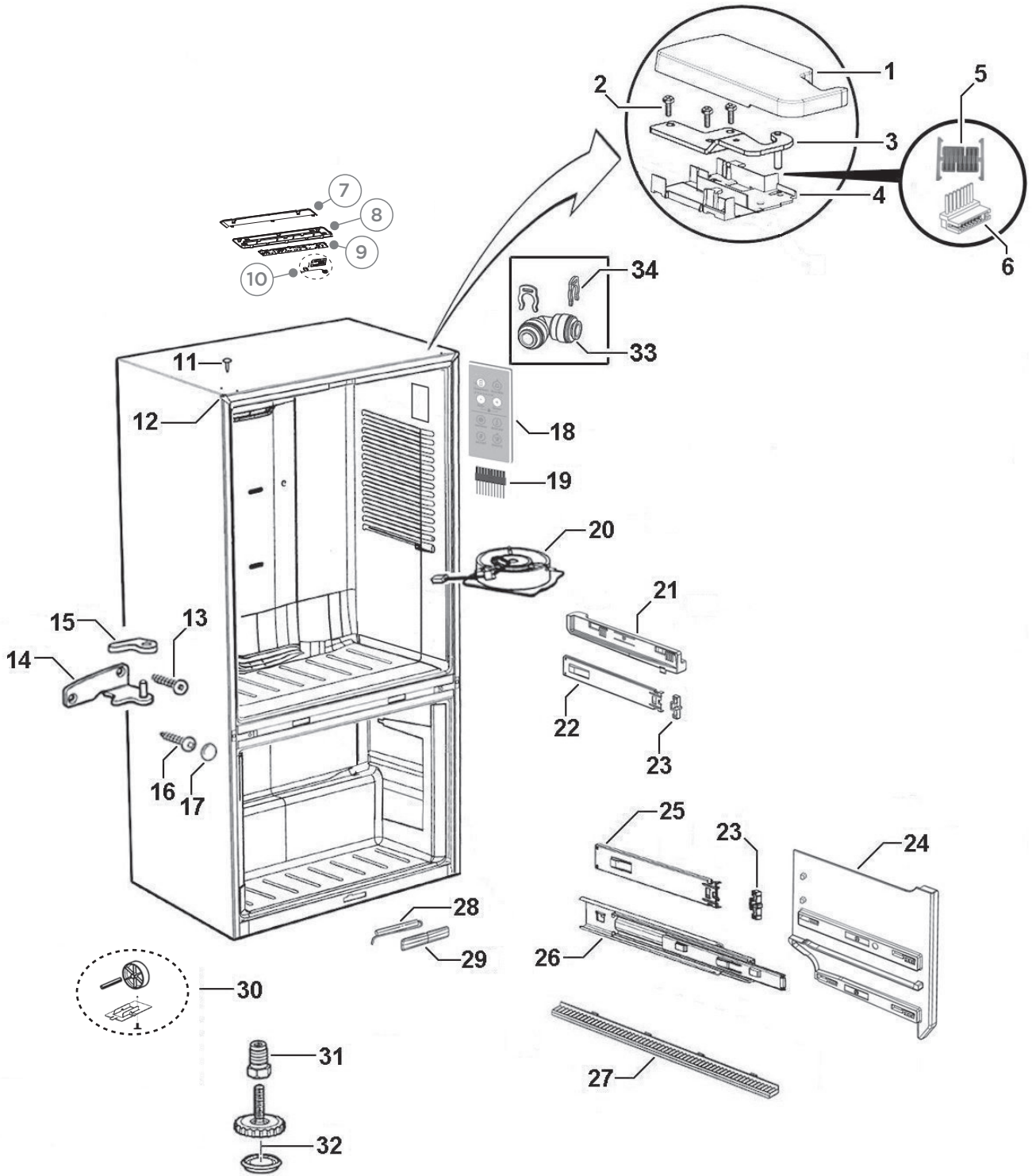
DWG004791

DWG 004791

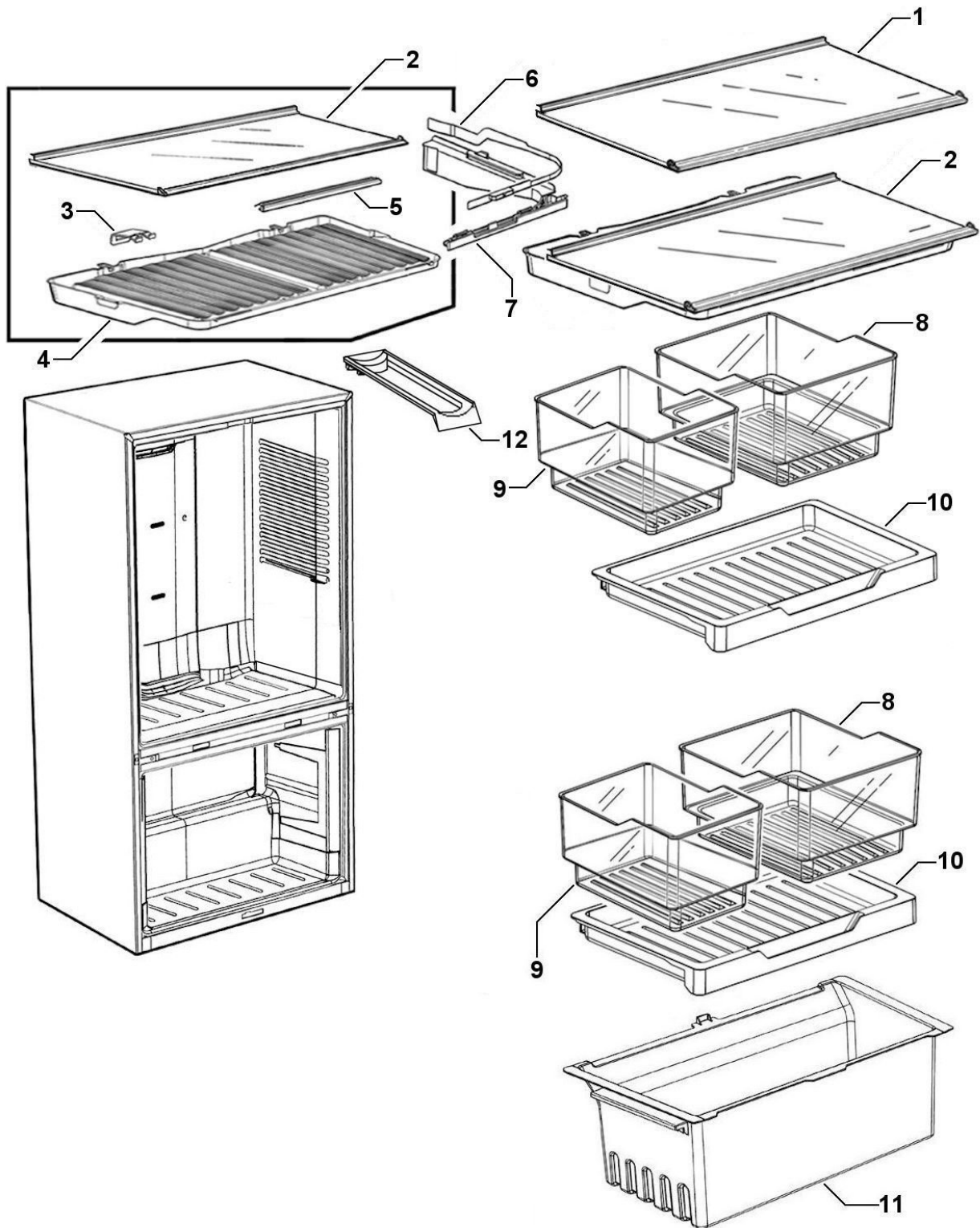
FC DRAWER COMPONENTS



CABINET COMPONENTS



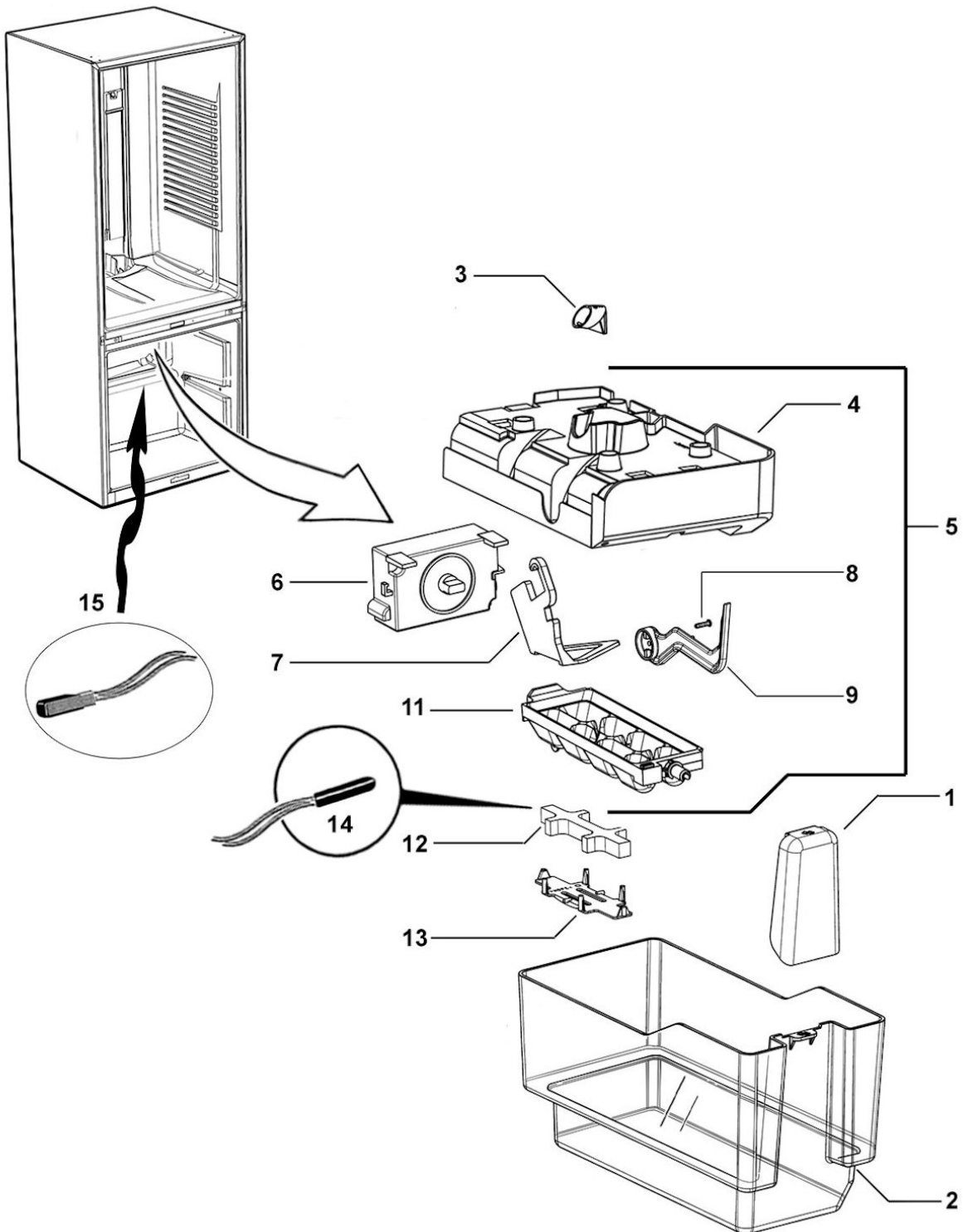
CABINET INTERIOR COMPONENTS



DWG002842 AUGUST 2012

DWG 002842

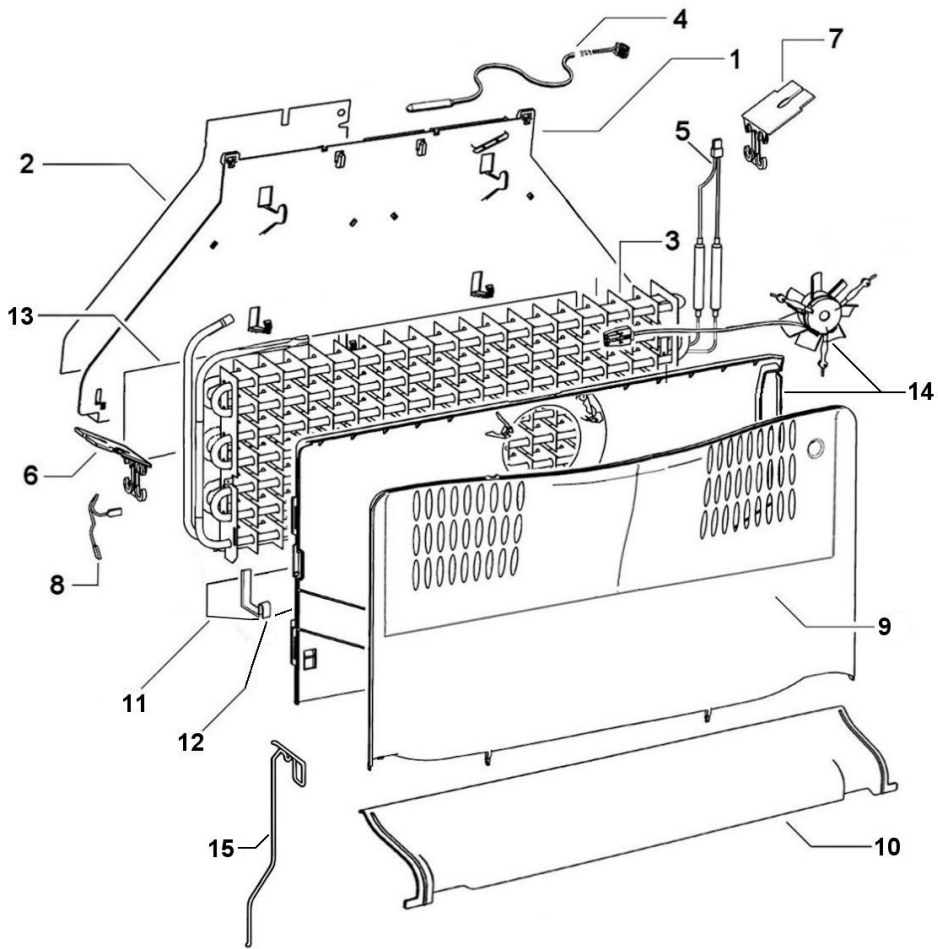
ICEMAKER & ICE BIN COMPONENTS



DWG002685 JULY 2012

DWG 002685

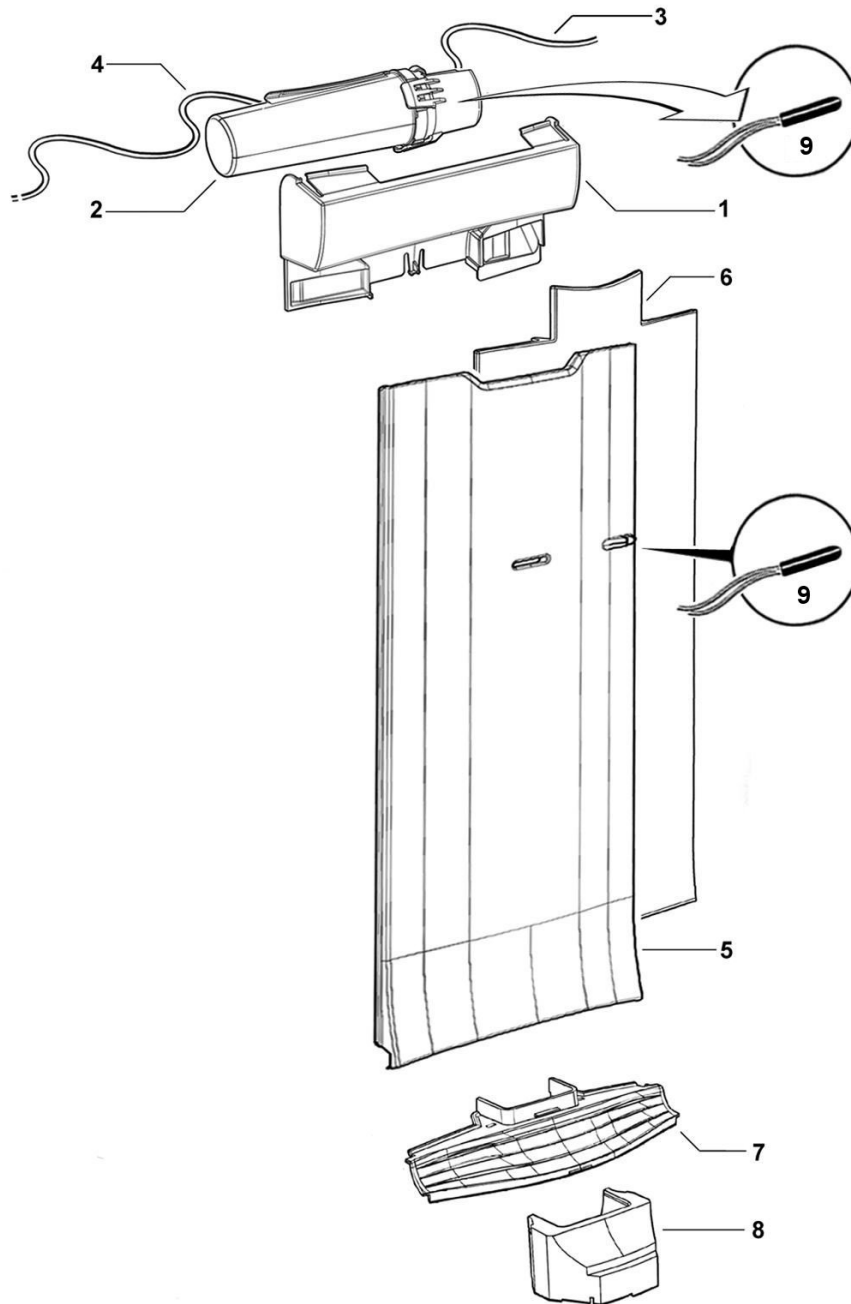
EVAPORATOR COMPONENTS



DWG002714 APRIL 2012

DWG 002714

WATER TANK & DUCT COVER COMPONENTS



DWG002822 AUGUST 2012

DWG 002822

COMPRESSOR AREA COMPONENTS

